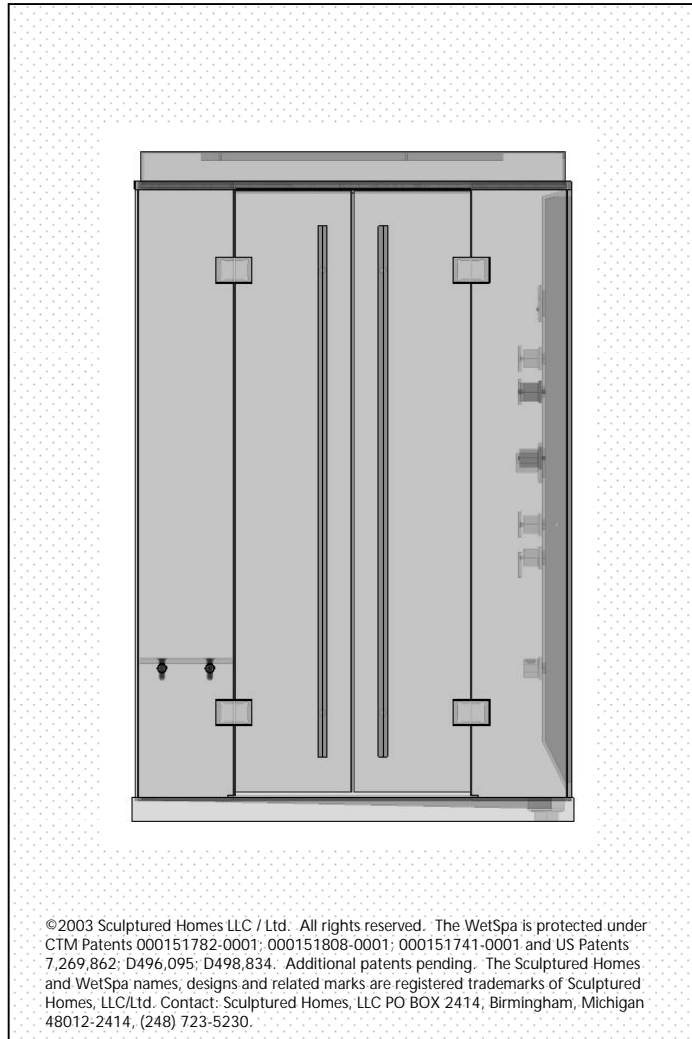




## SIMPLIFY 2 1/2 x 5 WETSPA® INSTALLATION



©2003 Sculptured Homes LLC / Ltd. All rights reserved. The WetSpa is protected under CTM Patents 000151782-0001; 000151808-0001; 000151741-0001 and US Patents 7,269,862; D496,095; D498,834. Additional patents pending. The Sculptured Homes and WetSpa names, designs and related marks are registered trademarks of Sculptured Homes, LLC/Ltd. Contact: Sculptured Homes, LLC PO BOX 2414, Birmingham, Michigan 48012-2414, (248) 723-5230.

WELCOME to the WetSpa by Sculptured Homes®. You have chosen a luxurious patented product that has been manufactured with quality materials and trusted workmanship.

Your WetSpa will provide years of beauty, pleasure and service provided that it is properly installed, cared for, and regularly maintained. Therefore, please follow the installation and care and maintenance instructions carefully.

Contact your sales representative if you require any additional assistance. Every part must be installed according to the installation instructions provided.

Improper installation may void the WetSpa Warranty. Improper installation of parts supplied by other manufacturers may also void their warranties.

The WetSpa is designed for professional installation by qualified general contractors, plumbers, and electricians. Consult your local building authorities to secure any necessary building permits and to ensure that the installation of the WetSpa complies with local and/or national codes and ordinances.

Consult your architect or builder prior to installation of the WetSpa to establish what additional structural support may be required.

**IMPORTANT! DO NOT DISCARD ANY DOCUMENTATION. ALL DOCUMENTATION PROVIDED (INCLUDING THIS BOOKLET) MUST BE GIVEN TO THE HOME OWNER FOR FUTURE USE.**

### WARNING!

Elderly persons, pregnant women, or those suffering from heart disease, high blood pressure, diabetes, or who are otherwise not in good health, should NOT use the steam bathing device unless directed to do so by a physician. Steam bathing should also be avoided while intoxicated.

#### INSTALLATION REQUIREMENTS:

- The Sculptured Homes WetSpa requires a dedicated 208v / 240v line (depending on local utility line voltage) for the steam generator and a dedicated 120v line for the fiber optic illuminator.
- One hot and two cold water feeds are required.
- Identify a site to house the steam generator prior to installation in accordance with the enclosed steam generator installation instructions. The steam line should not exceed 25ft (7.5m) and must be insulated if over 10ft (3m).
- **WARNING!** DO NOT install the steam generator outdoors, in a moist, humid area, or in an area where parts may freeze or corrode. DO NOT install near flammable materials such as paints, thinners, gasoline, etc.
- **WARNING!** The steam line and safety valve reach a temperature of 212°F during operation and should be appropriately protected to prevent personal injury by accidental contact.
- Once the WetSpa is installed there will be approximately 10ft (3m) of fiber optic cable remaining to reach the illuminator. Determine the location of the fiber optic illuminator accordingly. The illuminator should be mounted either vertically on a wall or flat on a firm horizontal surface. Allow a minimum 24" (60cm) clearance on either side to provide adequate ventilation and easy access to the halogen bulb. This product is U/L listed for damp locations.
- An audio network or stereo sound system is required in order to utilize the pre-wired stereo speaker included with the WetSpa.
- Consult your plumber to determine the appropriate sized hot water tank based on your particular usage.

#### PREPARING THE INSTALLATION LOCATION:

- Consult your architect or builder prior to installation to ensure that structural support for the WetSpa is adequate. Follow their

recommendations. Refer to pages 5-6 of this Installation booklet for critical technical information.)

- The Simplify WetSpa can be installed away from existing walls or against one or more existing walls. If you plan to install the WetSpa away from existing walls, Sculptured Homes recommends a minimum of 12" (30cm) from the edge of the WetSpa floor system to the nearest wall.

#### PREPARATION OF SPECIFIC PARTS:

- The glass may be shipped with a temporary protective plastic film on all surfaces. If so, it is best to leave this protective film on the glass, peeling back or removing it from the surface areas required for installation as and when necessary.
- The glass must be free of any film or greasy residue to get a tight seal. Use denatured alcohol to clean the front, back and edges of the glass prior to application of the silicone sealant, or before hardware is attached to the glass. This will promote adhesion.
- The patented design of the WetSpa floor system allows it to be tiled, to achieve a seamless, integrated appearance with the surrounding floor in the room. If you intend to tile the top of the floor system, then use tiles no greater than 3" (7.5cm) square in order to preserve the drainage pitch. A 1" (2.5cm) square tile is highly recommended.
- You must use an epoxy tile adhesive and follow the adhesive instructions carefully when applying tile to the top of the floor system. Cure times are very quick with epoxy based adhesives and mistakes are impossible to correct. Sculptured Homes will NOT replace nor be held liable for damages to the floor system resulting from mistakes made during the tiling of the unit.
- Seal the tile with a sealant suitable for steam applications before using the WetSpa.
- Tile can be applied to the floor system before installation as long as adequate time is given for the grout and sealant to cure.

#### WARNING!

The Sculptured Homes WetSpa is designed to be installed in one of two ways: 1) flush with the floor or 2) above the floor surface. Additional structural support may be required depending on the existing structural support of the location and the installation option that you choose. Consult and follow the advice of your architect and/or builder.

#### CARE AND MAINTENANCE GUIDELINES:

Owning the WetSpa should provide years of enjoyment. Your regular care and maintenance of the WetSpa will keep it functioning properly while retaining its aesthetic beauty.

#### HARDWARE, FIXTURES, & FITTINGS:

The finish on the hardware, fixtures and fittings, if given the proper care, will remain as beautiful as they are now. Neglecting or ignoring the basic rules of maintenance will harm the finish on the hardware, fixtures and fittings.

- Drying the hardware with a clean, soft towel on a daily basis is the best way to maintain the hardware. If mineral deposits build-up, mix a couple of drops of a mild liquid soap into a cup of warm water. Using a soft, non-abrasive cloth, clean the hardware. Rinse thoroughly with clean, warm water and dry.

- **WARNING!** Never use an abrasive cleanser of any kind on the hardware. Many of the components are coated with a clear lacquer that will be irreparably damaged if subjected to harsh, abrasive chemicals or scrubbing devices.

Hinges are greased at the factory for quiet and trouble free operation. If there is any squeaking that occurs after installation, put a drop of "3 in 1 Oil" (also known as household oil) on the white nylon washer upon which the hinge body pivots. This washer is the component that acts as a buffer, so that the body of the hinge doesn't pivot directly on the brass center block. This solution doesn't require the disassembly of the hinge.

- **WARNING!** Do NOT spray lubricant on the hinges. If the hinge has been disassembled, upon re-assembly, use white lithium grease to lubricate the interior mechanism.

Shower fixture components used in the WetSpa have been designed by leading manufacturers in the industry. Please review the documentation provided by these manufacturers and follow the recommended installation, care and maintenance procedures.

#### HOW TO CARE FOR GLASS:

Glass that is neglected or ignored, will accumulate water spots which will eventually turn into mineral deposits.

- The best way to keep the glass free of potentially damaging water spots is to squeegee the glass after every use. Ideally, squeegee the glass on a daily basis. It will prove to be a minimal investment in time and will save a great deal of cleaning effort later.

- Using a Transparent Polymer Coating (TPC) Surface Protector to protect the glass will help make the surface water, soil and stain resistant. The clear coating guards against the adhesion and build-up of dirt, grime, soap scum, rust and mineral deposits.

- **IMPORTANT!** A TPC Surface Protector can help to repel water off of the glass, but is not intended to replace the use of a squeegee.

#### HOW TO CARE FOR THE WETSPA FLOOR SYSTEM:

The Sculptured Homes patented floor system is made from a highly durable solid surface composite. Use a mild soap and Teflon safe scrubbing pad to keep the surface clean and free from a build-up of dirt, grime, soap scum, rust and mineral deposits.

- If the floor system should become marked or scratched, simply take a piece of extra fine buffing pad and hand buff out the mark or scratch until the surface is restored to its original look.

- **WARNING!** If you tile the surface of the WetSpa floor system, then you must care for the tile according to the tile manufacturer's recommendations. This includes sealing the tile and grout with a proper sealer and maintaining that seal over the life of the product.

#### REMINDER:

Take time to familiarize yourself with the documentation provided. Your WetSpa will provide years of beauty, pleasure and service provided that it is properly installed, cared for, and regularly maintained.

## PRODUCT TERMS AND CONDITIONS:

### Warranty

Sculptured Homes warrants for a period of one year that the product will be free from manufacturing defects. This warranty does not cover damage caused to the goods during shipment, or by improper care, installation techniques, modifications, physical force or other abuse and does not cover any related labor charges, removal and reinstallation expense, freight or postage. This warranty does not cover parts warranted by other Manufacturers used in conjunction with the goods. Sculptured Homes shall only be responsible for repairing or replacing any part or parts that do not comply with this Warranty, as determined by Sculptured Homes. Sculptured Homes' total liability under this Warranty will not exceed the purchase price for the goods and will not include consequential damages.

### Warranty Claims

Warranty claims must be made in writing to Sculptured Homes, LLC, PO BOX 2414, Birmingham, MI 48012-2414, USA. Please include original Sculptured Homes Sales Order or Invoice number, date of purchase, item description and description of claim. Defective parts must be returned in their original crating. New Sculptured Homes boxes and crates may be ordered (at a charge) for safe return if the original box is unavailable.

### Missing Parts

Claims for missing parts must be made in writing to Sculptured Homes within five (5) days of receipt of shipment.

### Freight Claims

Claims for freight damage must be made with the carrier. Inspect shipment on receipt, and note damage to cartons or crates. Request inspection by the carrier within the time limit set by the carrier. Follow the carrier's procedure to process the claim.

### Returns

Sculptured Homes' products are manufactured to customer order due to their custom nature. Consequently, product is non returnable and non refundable. Please order carefully. All sales are final and cannot be changed.

### Prices

Sculptured Homes reserves the right to change prices without notice at any time prior to order confirmation. Prices shown are retail prices and exclude Freight and Crating, which are Net. Additional charges may exist and are referred to as: delivery, insurance, export documentation, duty, tariff and handling and storage. All prices shown are F.O.B. Sculptured Homes, LLC/LTD location of choice.

### IMPORTANT:

Consult the enclosed steam and shower fixture literature for additional warnings, cautions, installation instructions and care and maintenance instructions that relate to components sourced from these manufacturers. Improper installation, care or maintenance may void one or more warranties.

**CRITICAL TECHNICAL INFORMATION:**

**Simplify installation options**

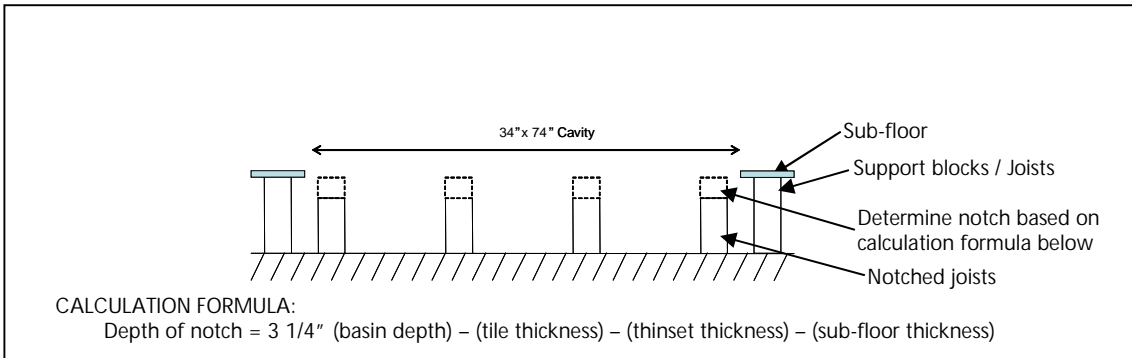
The Simplify model of WetSpa can be inset to be level with the existing floor or set on top of the existing floor. It can also be installed remote from existing walls or immediately adjacent to one wall, in a corner or in an alcove. When installing adjacent to an existing wall, corner or in an alcove, please ensure that the glass panels on the sides to be integrated are sealed and moisture proof against the existing adjacent wall(s) of the room.

**Simplify Dimensions & Weight**

|                   | Dimensions                            | Weight     |
|-------------------|---------------------------------------|------------|
| Standalone inset  | - 63 1/4" (l) x 30" (w) x 87 1/2" (h) | - 999 lbs. |
| Standalone on top | - 63 1/4" (l) x 30" (w) x 90 3/4" (h) | - 999 lbs. |

**FOR ILLUSTRATIVE PURPOSES ONLY:**

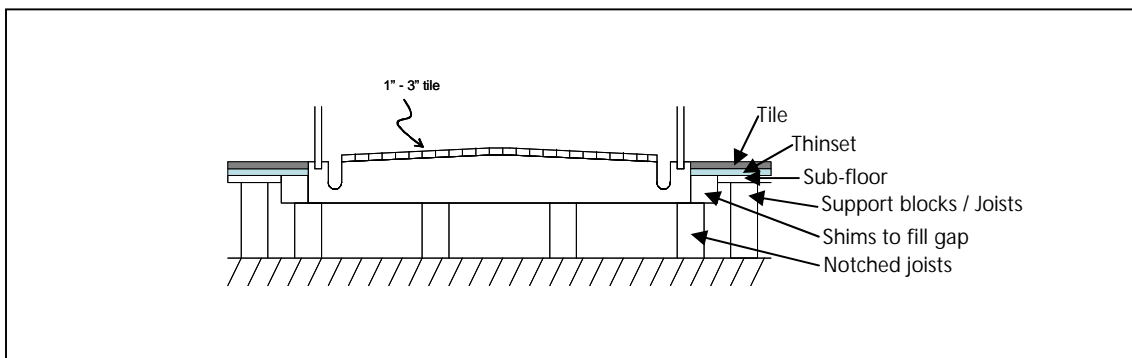
Side view to inset the 2 1/2' x 5' Floor System



CONSULT AND FOLLOW THE ADVICE OF YOUR ARCHITECT AND/OR BUILDER BEFORE NOTCHING OUT JOISTS OR INSETTING THE FLOOR SYSTEM.

**FOR ILLUSTRATIVE PURPOSES ONLY:**

"Finished" Side view to inset the 2 1/2' x 5' Floor System



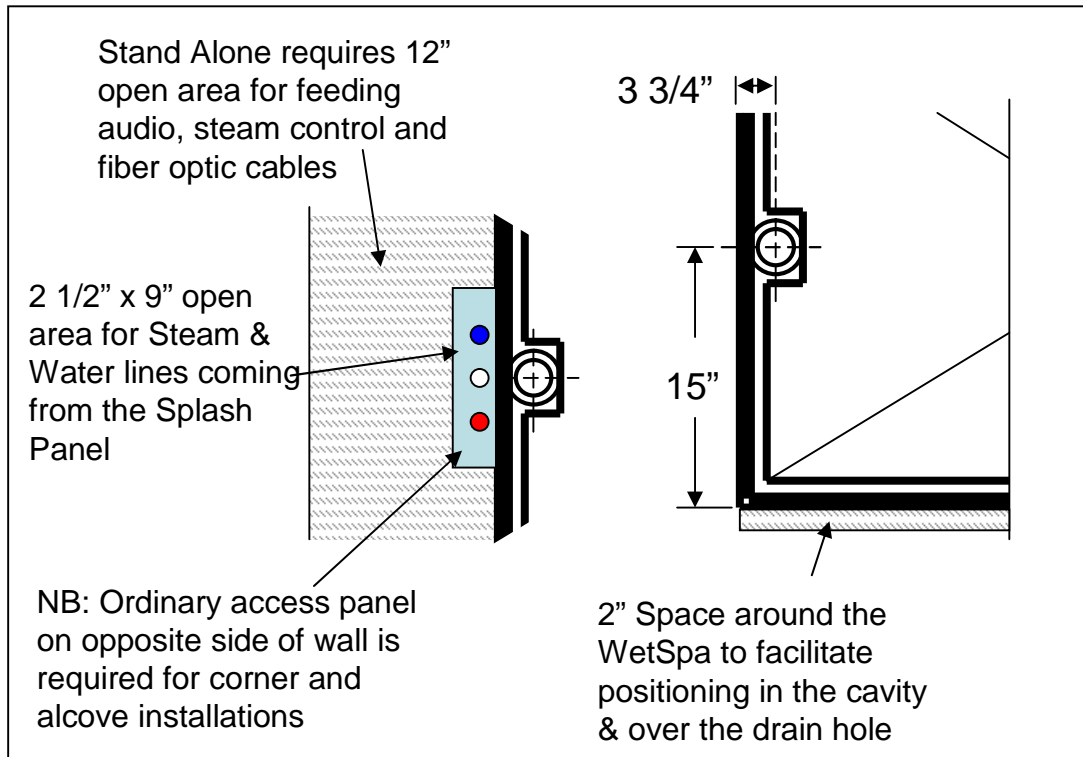
**CAUTION:**

The WetSpa is designed for professional installation by qualified general contractors, plumbers, and electricians. Secure the proper permits and consult your local building authorities to ensure that the installation of the WetSpa complies with local and/or national codes and ordinances.

CRITICAL TECHNICAL INFORMATION (cont'd.):

NOTE: Leave sufficient space along the drain side for connecting the plumbing and running the various cables. Do NOT finish off this area until installation of the WetSpa is completed.

Critical dimensions for centering the floor system drain:



Plumbing

- 2" standard PVC shower stall drain
- Source 1 hot and 1 cold at floor level for hook-up to the Splash Panel or inside wet wall with access panel for corner or alcove installations; 1 cold water feed for hook-up to the Steam generator.
- Flow rate: up to 17.5gpm depending on configuration
- Water pressure: 14.5 – 72.5psi.
- Pre-plumbed pressure tested plumbing manifold terminates with 3/4" Type L copper pipe for the hot and cold feeds and 3/4" or 1/2" for the steam feed per manufacturer's specification.

Electrical

- Steam generator: 208v / 240v depending on local utility line voltage; plug & receptacle require a rating of no less than 250V and proper amperage. Refer to the chart in the steam generator & control instructions. Steam line should not exceed 25ft (7.5m) and must be insulated if over 10ft (3m).
- Fiber-optic illuminator: 120v; located up to 10ft (7.5m) from the WetSpa.

CAUTION:

The WetSpa is designed for professional installation by qualified general contractors, plumbers, and electricians. Secure the proper permits and consult your local building authorities to ensure that the installation of the WetSpa complies with local and/or national codes and ordinances.

#### TOOLS AND MATERIALS:

- two (2) 8" suction cups, pump action for flat surfaces. 125lb (56kg) capacity; 4:1 safety factor
- 3mm (7/64") hex key (for caps & door pulls). Provided
- 15/16" wrench (for locknuts)
- 3/8" hex key (for seat bolts). Provided
- 1/8" square screwdriver (for screws on splash panel back )
- flat blade screwdriver
- Phillips head screwdriver
- small level (approx. 6" – 8" long)
- 2 saw horses
- caulking gun
- high bond double sided clear tape
- wood shims
- razor blades
- 2 bottles denatured alcohol
- 6 rolls paper towel
- 1 doz. soft cloths
- bottle of mild dish soap
- 1 12' x 12' tarp
- 1 pair scissors
- 1 roll 2" blue painter's tape
- 2 metal, gangable switch boxes (for exterior steam timer control when applicable)
- wall and/or dimmer switches and switch box suitable for desired external control of WetSpa fiber-optic lighting

#### STEAM CONTROL PANELS

The WetSpa includes a Temperature Control panel mounted inside the WetSpa on the Splash Panel as instructed. The WetSpa may also include a Timer Control panel which must be mounted outside the WetSpa.

You will need to select a convenient location and prepare the space for the Timer Control Panel if included with the unit. Please follow the steam manufacturer's installation requirements.

#### FIBER-OPTIC LIGHT SWITCH

The fiber optic illuminator provided requires a hard wire connection. The illuminator can be attached to wall and dimmer switches (not provided). You will need to select the location and parts for the switches which should be installed by a qualified electrician.

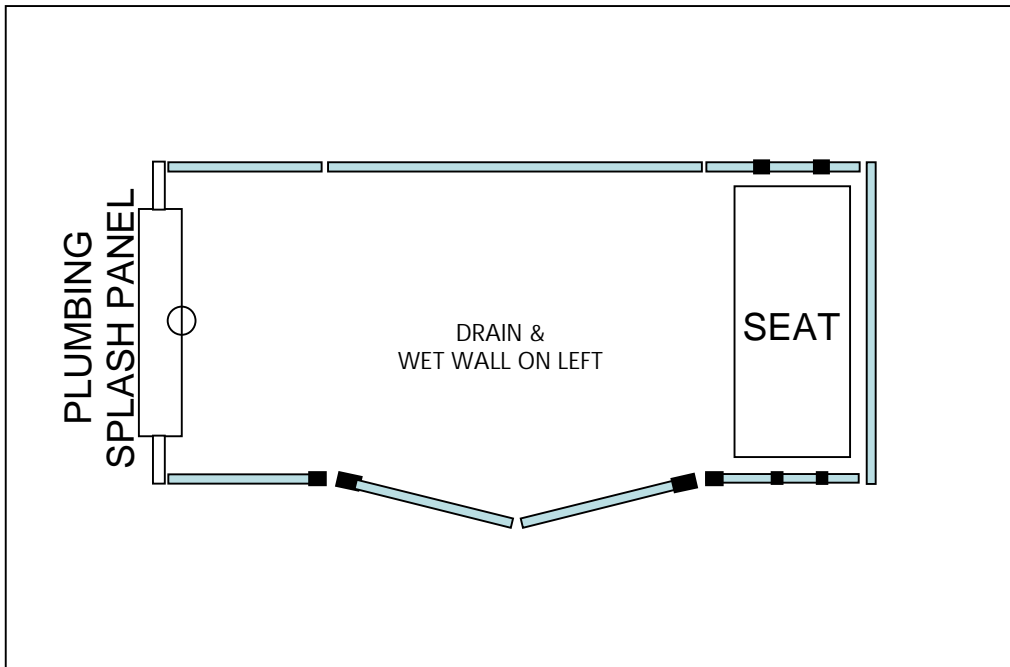
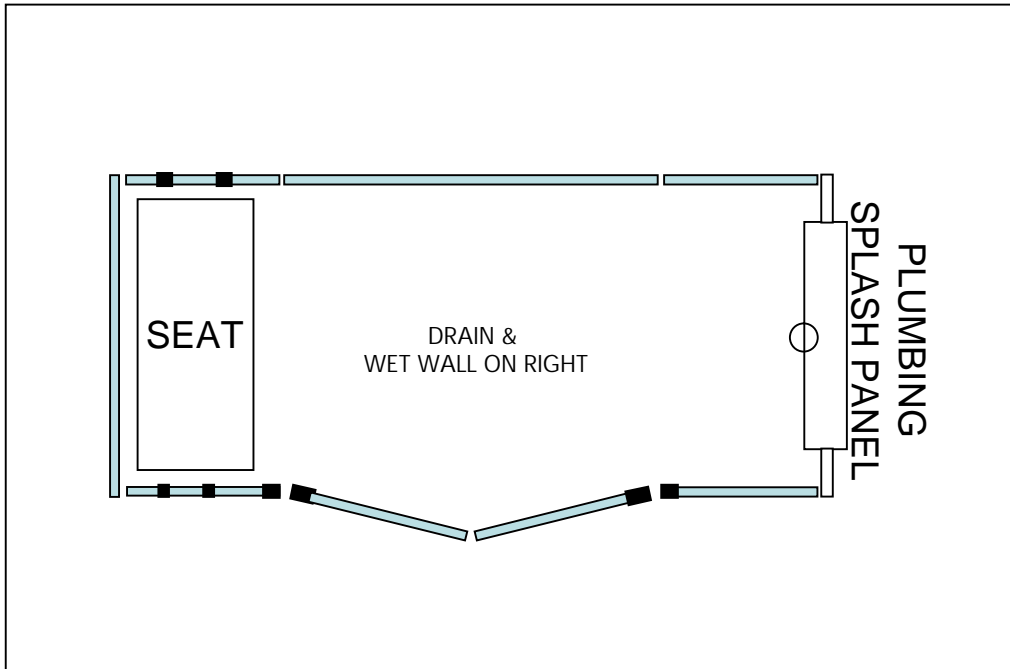
- A standard rheostat electronic dimmer is required.

#### IMPORTANT!

Do not discard any documentation. All documentation provided with the WetSpa (including this booklet) must be given to the home owner for future use.

**IMPORTANT! DETERMINE LOCATION OF THE WET WALL**

Certain corner panels of glass are asymmetric. The location of the drain and wet wall determines how these panels of glass are glazed together and positioned in the floor system. Use the diagrams below as a guide.



**WARNING!**

Sculptured Homes will NOT replace the glass nor be held liable for damages caused by improper care, installation techniques, modifications, physical force or other abuse and does NOT cover any related labor charges, removal and reinstallation expense, freight or postage.



## INSTALLATION INSTRUCTIONS

NOTE: The following instructions illustrate the assembly of a Simplify 2 ½ x 5 WetSpa with the drain and wet wall on the RIGHT SIDE. Refer to the diagram on page 8 of this booklet when installing the unit with the drain and wet wall on the left side.

### STEP 1: INSTALL THE SHOWER DRAIN and WETSPA FLOOR SYSTEM

A standard 2" PVC drain is provided with the WetSpa Floor System. Your qualified plumber will need to purchase a different drain if one is required based on the specific plumbing and/or local codes and ordinances of your specific installation and follow the manufacturer's instructions. If you use the drain provided, then:

1. Apply silicone sealant to the under side of the drain body flange, which will come in contact with the drain hole of the floor system.
2. Position the drain body in the drain hole of the floor system.
3. From the under side of the floor system bottom, slide the flat rubber washer over the threads of the drain body until it is against the bottom of the floor system.
4. Do the same with the flat hard-paper friction washer.
5. Hand tighten the retainer nut while checking once again to be sure that the drain is positioned correctly in the drain hole of the floor system.
6. Tighten the retainer nut to a secure fit. The drain is now part of the floor system.
7. Position the floor system over the drain pipe which has been roughed into the floor/cavity and seal the drain connection as needed.
8. Run some water into the drain and check for leaks.
9. After the leak test is satisfied, attach the strainer in place to complete the installation and tape over strainer to prevent debris from entering the drain.

### STEP 2: INSERT THE L-SHAPED GASKET INTO THE PERIMETER GLASS CHANNEL

The L-shaped dry-glaze gasket packaged with the floor system has been pre-cut at the factory. Check that the pieces are correctly positioned in the perimeter glass channel of the floor system:

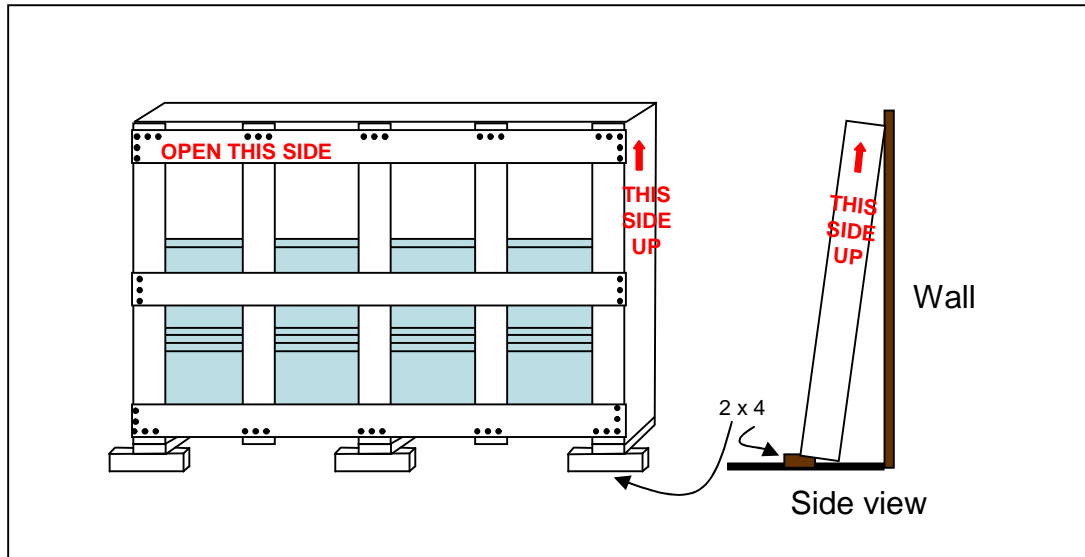
1. The gasket should be inserted so that the vertical part of the L-shaped gasket faces the exterior of the basin.
2. There should be a 3/2" gap (no dry-glaze) on center at the doorway where the threshold will be installed later.
3. There should be no dry-glaze in the channel where the splash panel will be installed later.
4. NOTE: WetSpas that incorporate a GLASS WET WALL PANEL instead of the splash panel should have the gasket in the perimeter channel (refer to p. 25).
5. Run a THIN bead of silicone in the perimeter glass channel of the floor system before placing the dry-glaze into the channel.
6. Press the dry-glaze firmly in place allowing the silicone to form a thin seal.
7. Apply a small amount of silicone to seal the mitered corners of the dry-glaze.

#### WARNING!

Sculptured Homes will NOT replace components of the WetSpa nor be held liable for damages caused by improper care, installation techniques, modifications, physical force or other abuse and does NOT cover any related labor charges, removal and reinstallation expense, freight or postage.

STEP 2: OPENING THE GLASS CRATE:

CAUTION! The glass will tumble out of the crate if the crate hasn't been securely positioned to prevent it from leaning forward while being opened.



1. Lean the crate against a wall with the "Open this Side" facing you.
2. Place a 2 x 4 under the legs of the crate to prevent it from falling forward.
3. Carefully remove the screws on the face of the crate; maintaining pressure to keep the crate leaning back against the wall.
4. Remove the pieces as required, beginning with the 13" x 84" panels.

SIMPLIFY 2 1/2 x 5 GLASS INVENTORY (WITH SEAT UPGRADE):

- 1 – 13" x 84" PANEL (SEAT END CORNER W/HINGE)
- 1 – 13" x 84" PANEL (SEAT END CORNER)
- 1 – 13" x 84" PANEL (SPLASH END CORNER W/HINGE)
- 1 – 13" X 84" PANEL (SPLASH END CORNER)
- 1 – 29 1/16" x 84" PANEL (SEAT SIDE)
- 1 – 32" x 84" PANEL (MIDDLE BACK WALL)
- 2 – 15 7/8" x 81 5/8" STANDARD DOORS
- 1 – 22" x 12 1/2" SEAT (WHEN ORDERED AS AN UPGRADE)
- 1 – 29 1/16" x 84" WET WALL PANEL (WHEN ORDERED INSTEAD OF THE SPLASH PANEL)

WARNING!

Sculptured Homes will NOT replace the glass nor be held liable for damages caused by improper care, installation techniques, modifications, physical force or other abuse and does NOT cover any related labor charges, removal and reinstallation expense, freight or postage.

## SIMPLIFY 2 1/2 x 5 SEAT HARDWARE

IMPORTANT! Refer to pp. 22 & 23 when installing against a wall, in a corner or in an alcove.



2 seat poles

Each seat pole has two 5/8" through holes for the seat bolts.



4 chrome caps



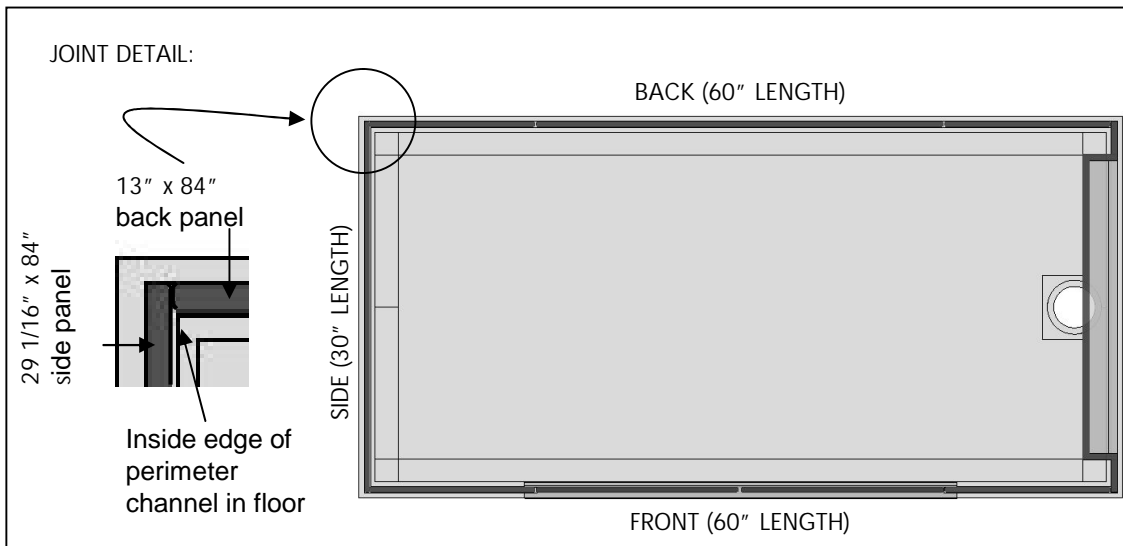
4 o-rings



4 rods

## GLASS AND SPLASH PANEL ASSEMBLY

CAUTION! Always butt the glass panels on the FRONT and BACK of the WetSpa (along the 60" length) INTO the panels on the SIDES of the WetSpa (along the 30" length). It is absolutely critical that the corner panels are assembled as directed. Failure to follow these instructions will result in serious installation problems.



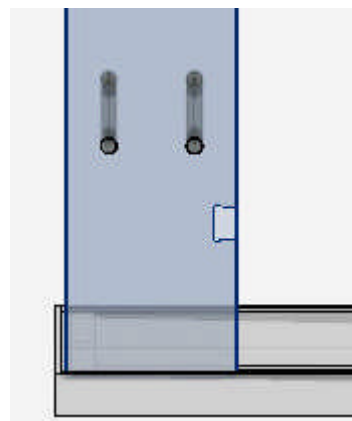
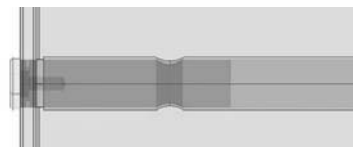
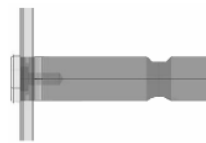
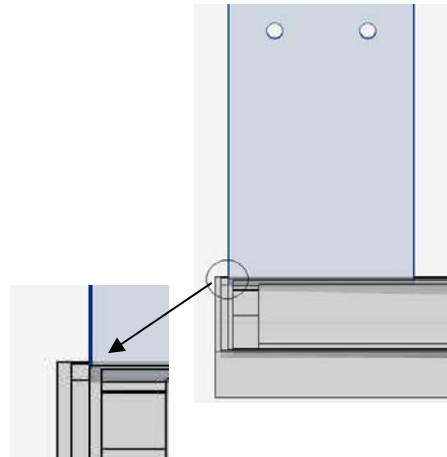
### IMPORTANT!

Always butt the LONGER width panels of the WetSpa corners INTO THE SHORTER width panels. It is absolutely critical that the corner panels are assembled as directed. Failure to follow these instructions will result in serious installation problems.

### STEP 3: INSTALL THE SEAT SIDE GLASS AND SEAT POLES

Insert the front and back 13" x 84" seat end panels in the floor system and assemble the seat poles:

1. Apply a THIN bead of silicone on top of the dry glaze and place the 13" x 84" panel with the two 29mm holes and (no door hinge cut-outs) to the rear of the unit.
2. Ensure that the 84" edge of the panels align with the inside edge of the perimeter channel in the floor. The 29 1/16" x 84" side panel will be inserted into the perimeter channel of the floor later so that the 13" x 84" panel will butt against it (as shown on the previous page).
3. Place the o-rings onto the rods.
4. Place one rod in each of the 29mm holes in the back 13" x 84" panel so that the end of the rod is flush with the outside face of the glass.
5. Using a 3mm (7/64") hex key, screw the chrome caps from the outside of the glass into the rods to secure the rods to the glass.
6. Stand the 13" x 84" panel with the two 29mm holes and the three door hinge cut-outs upright on a soft surface. Facing the unit position the hinge side of the panel towards the center of the 60" length.
7. Repeat steps 4 & 5.
8. Take the seat poles and insert them onto the rods of the back 13" x 84" panel.
9. Run a THIN bead of silicone on top of the dry glaze in the perimeter glass channel at the location of the side panels. Lift the 13" x 84" front panel into the perimeter channel of the floor while inserting the rods into the poles.
10. Ensure that the 84" edge of the panel aligns with the inside edge of the perimeter channel in the floor as in step 2.
11. From the inside of the unit, apply a small amount of silicone where the rods meet the glass.



#### IMPORTANT!

Always butt the LONGER width panels of the WetSpa corners INTO THE SHORTER width panels. It is absolutely critical that the corner panels are assembled as directed. Failure to follow these instructions will result in serious installation problems.

## SIMPLIFY 2 1/2 x 5 SEAT HARDWARE (cont'd.)



4 cups



4 hex bolts



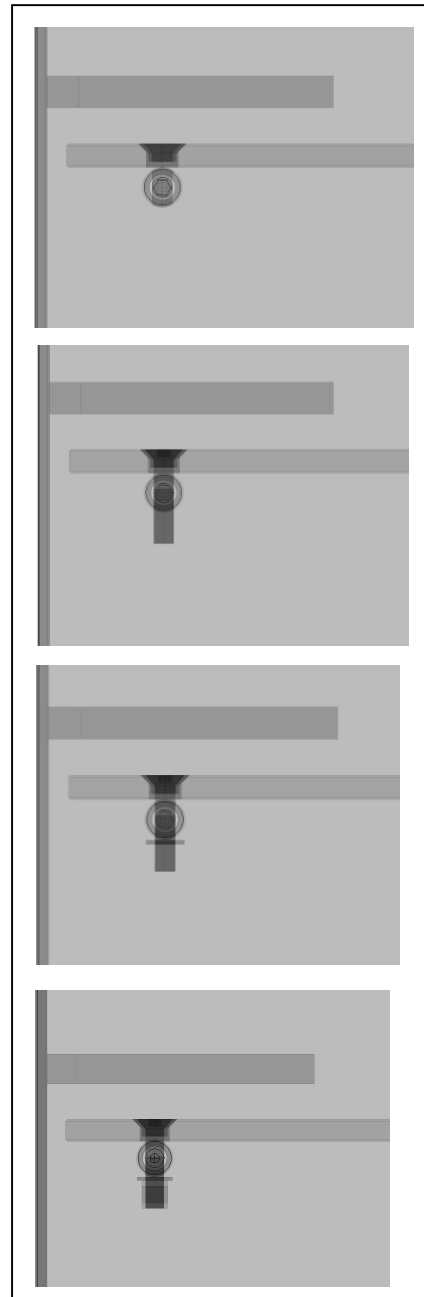
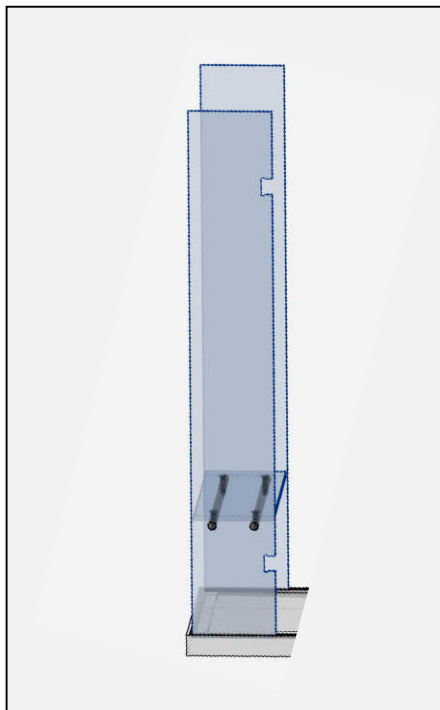
4 flat washers



4 hex nuts

### STEP 4: ATTACH THE SEAT TO THE POLES

1. Using two suction cups, lift the seat and carefully set it on top of the poles; matching the countersink holes to the holes in the back and front poles.
2. Place the cups into the countersink holes.
3. Insert the bolt.
4. Put the metal washer onto the underside of the bolt.
5. Place the nylon core hex nut onto the underside of the bolt (taper side downward).
6. Insert the 3/8" hex key into the head of the bolt.
7. Using a wrench, hold the nut in place and tighten down the bolt with the 3/8" HEX KEY (provided). DO NOT over-tighten and be careful not to mar the finish of the hardware.
8. Insert the remaining bolts and repeat 4 - 7.



#### IMPORTANT:

The bolts should be securely fastened, but not over-tightened. Be careful not to mar the finish of the hardware.

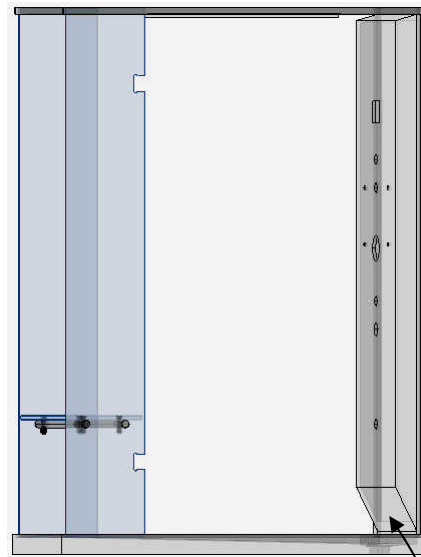
## STEP 5: INSERT THE WETSPA SPLASH PANEL AND RIM

PLEASE NOTE: Refer to pp. 24 - 26 for WetSpas equipped with a 29 1/16" x 84" GLASS WET WALL instead of the splash panel.

CAUTION! Handle the top and bottom lip of the splash panel with extreme care. They are very fragile and will break if mishandled.

PLEASE REVIEW PICTURE AT RIGHT: The Splash Panel MUST be installed with the deeper angled plane at the bottom. Failure to correctly install the Splash Panel will result in serious installation problems.

1. Leaving the Splash Panel in the crate, remove the back cover from the Splash Panel and set aside.
2. Lift the Splash Panel out of the crate and place it face side up on two padded saw horses.
3. Attach suction cups to the face of the Splash Panel to facilitate lifting and carrying.
4. Lift the Splash Panel off the padded saw horses. Correctly positioned with the deeper angled part of the panel at the bottom.
5. Run a bead of silicone in the perimeter glass channel of the floor system at the location of the Splash Panel.
6. Keeping the Splash Panel completely vertical lower the bottom lip carefully into the into the perimeter glass channel of the floor system.
7. Set the top rim onto the top lip of the glass seat end and splash panel.
8. Do NOT re-attach the back cover of the splash panel until directed to do so.



SPLASH PANEL MUST BE INSTALLED WITH THIS DEEPER ANGLED PLANE AT THE BOTTOM

## STEP 6: INSERT THE REMAINING GLASS PANELS

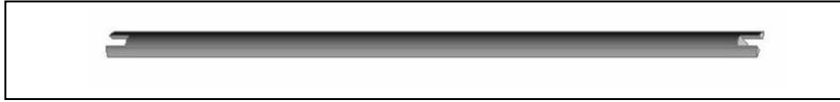
1. One person will need to stand behind the splash panel to brace it from leaning forward or backward while another person can position the 29 1/16" x 84" panel into place.
2. Run a THIN bead of silicone on top of the dry-glaze in the perimeter glass channel of the floor system before inserting each of the glass panels.
3. Insert the 29 1/16" x 84" panel into the perimeter channel on the seat side
4. Lift the rim enough to stand the panel upright and then lower the rim onto the panel
5. Insert the 13" x 84" back panel into the perimeter channel immediately adjacent to the splash panel, in the same manner as previously described.
6. Insert the 13" x 84" front panel (with door hinges cut outs positioned toward the center) into the perimeter channel immediately adjacent to the splash panel, in the same manner as previously described.
7. Insert the 32" x 84" back panel into the perimeter channel in the remaining space at the back, in the same manner as previously described.

### CAUTION!

Handle the top and bottom lip of the splash panel with extreme care. They are very fragile and will break if mishandled.

#### STEP 7: INSTALL THE DOOR THRESHOLD

1. Run a THICK bead of silicone into the empty perimeter glass channel at the doorway.
2. Set the threshold into the channel.
3. Run a bead of silicone where the glass is in the cut out portion of the threshold.



#### STEP 8: INSTALL THE LIGHTBOX

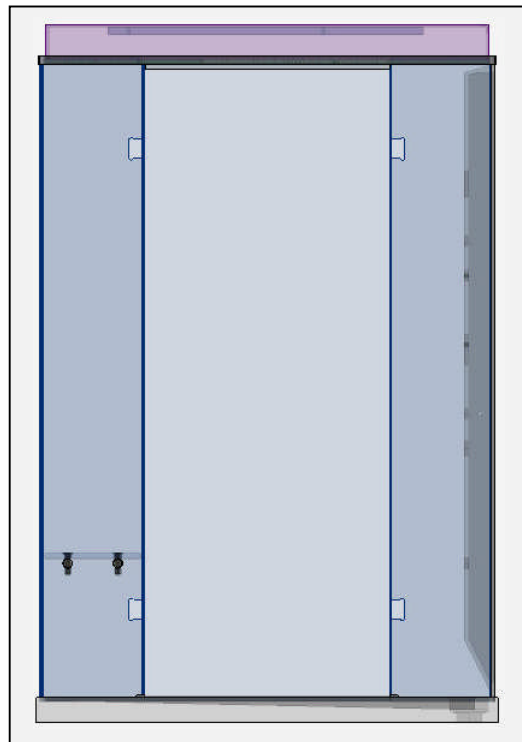
##### CAUTION!

The lightbox can be very heavy depending upon the configuration.

- Run a bead of silicone along the top perimeter inset of the rim.
- CAREFULLY lift the lightbox out of the container and place it in the inset of the top rim with the SPEAKER SIDE OVER THE SEAT.
- Run the cables down through the back of the splash panel.
- Continue the run under the floor / through the walls to get to the location of the fiber optic illuminator and the audio network / sound system.

##### PLEASE NOTE:

Some models include a rainhead or ceiling water feature. Attach the feed pipes to the plumbing manifold as instructed.



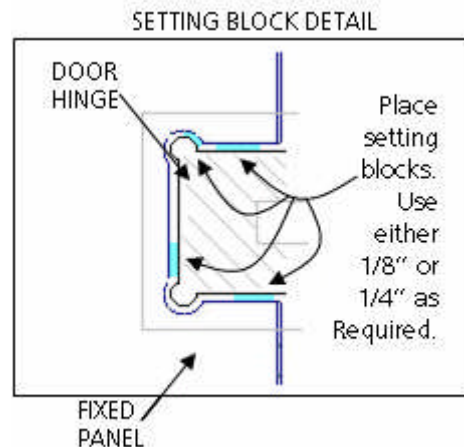
##### IMPORTANT:

The LIGHTBOX can be very heavy depending on the size and configuration. Exercise caution when handling the lightbox. DO NOT torque or twist the lightbox while lifting and/or carrying it.

### STEP 9: INSTALL THE DOOR HINGES

1. Clean the hinge area (face & edges) with denatured alcohol.
2. Place the black gaskets (provided) onto the inside and outside of the two glass cut-outs on each of the 15 7/8" x 81 5/8" STANDARD DOORS.
3. Attach the hinges to the cut-outs on the doors.
4. Insert setting blocks in each hinge (as shown below) to prevent the hinges from slipping
5. Using a spirit level, check that the hinges are level.
6. Hand tighten. DO NOT use power tools.

CAUTION! DO NOT substitute gaskets - 3/8" (10mm) black gaskets, specifically for 3/8" tempered glass, are supplied with the hinge.



THIS SPACE INTENTIONALLY LEFT BLANK.

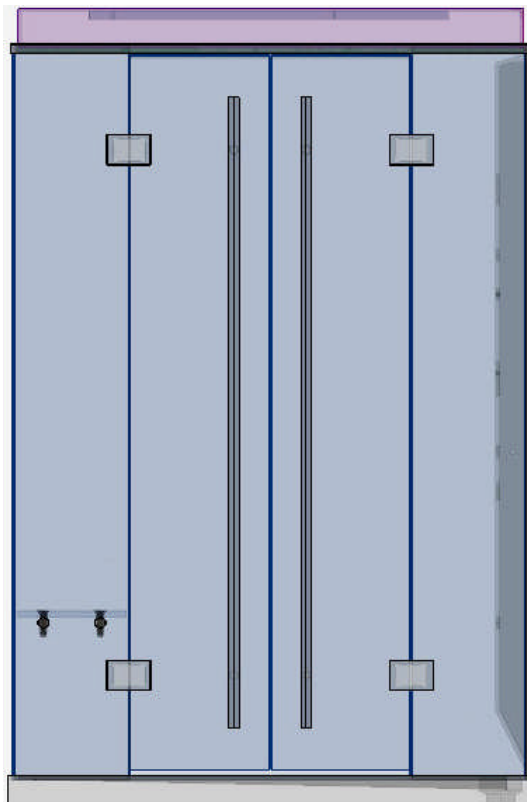
#### IMPORTANT:

The Glass Doors are hung with 2 hinges each. Both 13" x 84" PANELS (W/HINGE) and the 15 7/8" x 81 5/8" DOORS have been pre-cut at the factory. DO NOT substitute gaskets. The 3/8" (10mm) black gaskets, specifically for 3/8" tempered glass, are supplied with the hinges.

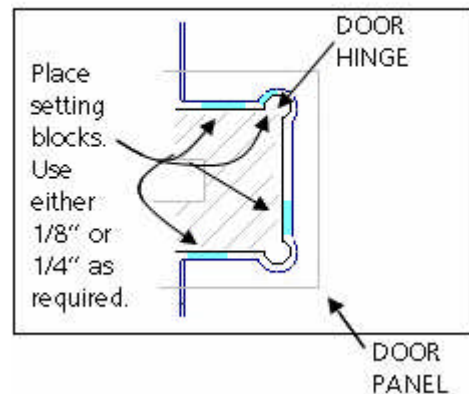


## STEP 10: HANG THE GLASS DOORS & INSTALL THE DOOR HANDLES

1. Clean the hinge areas (face & edges) of the 13" x 84" PANELS with denatured alcohol.
2. Remove the faces of the door hinges that will be attached to the panels .
3. Using the suction cups, lift the doors and set the hinges in place.
4. Insert setting blocks in each hinge (as shown below) to prevent the hinges from slipping.
5. Attach the cover plates.
6. Using a spirit level; check that the hinges are level.
7. Hand tighten the cover plates. **DO NOT** use power tools.
8. Install the door handles.
9. Install two clear pads onto the face of the door stop attached to the rim aligned with the top right corner of the left door and the top left corner of the right door. Leave remaining pads with the owner.



SETTING BLOCK DETAIL



### IMPORTANT:

The Glass Doors are hung with 2 hinges each. Both 13" x 84" PANELS (W/HINGE) and the 15 7/8" x 81 5/8" DOORS have been pre-cut at the factory. **DO NOT** substitute gaskets. The 3/8" (10mm) black gaskets, specifically for 3/8" tempered glass, are supplied with the hinges.

#### STEP 11: TRUE UP THE GLASS AND PREPARE FOR SEALING

1. From the interior side of the WetSpa, insert wood shims (not provided) at 2ft intervals in order to evenly space the seams.
2. Insert wood shims between the face of the interior of the pieces of glass and splash panel and the perimeter glass channel of the floor system.
3. Insert wood shims along the interior and exterior of the rim and glass panels and splash panel as needed.
4. Run diagonal lengths of blue painter's tape across the interior and exterior face of the panels to temporarily hold them in place.
5. Check the vertical and horizontal alignment of all of the panels and make any necessary adjustments to ensure that the unit is square and true.

#### STEP 12: SILICONE THE SEAMS

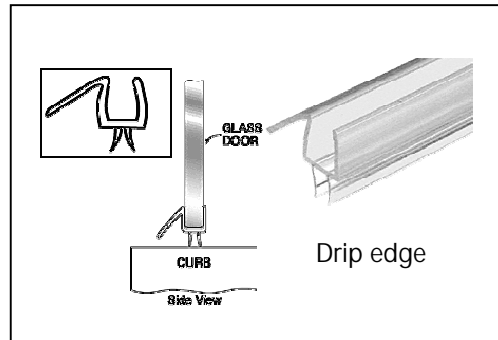
1. From the inside of the WetSpa, apply a bead of silicone down each of the four corners of the WetSpa.
2. Remove the wood shims along the interior seam between the back panels of glass and apply a bead of silicone.
3. Remove the wood shims inside the WetSpa around the top perimeter where the glass panels and splash panel have been inserted into the top rim and apply a bead of silicone.
4. Remove the wood shims inside the WetSpa around the bottom perimeter where the glass panels and splash panel have been inserted into the channel of the floor system and apply a bead of silicone.

#### WARNING!

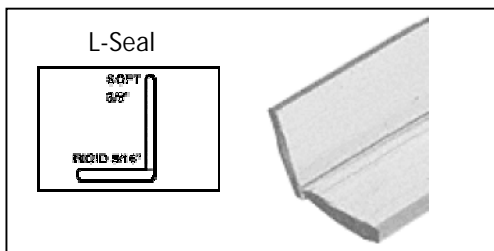
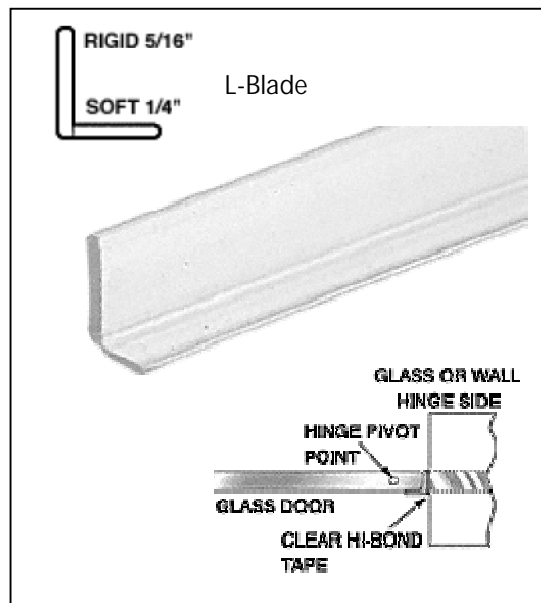
Sculptured Homes will NOT replace the components of the WetSpa nor be held liable for damages caused by improper care, installation techniques, modifications, physical force or other abuse and does NOT cover any related labor charges, removal and reinstallation expense, freight or postage.

**STEP 13: ATTACH THE TRANSLUCENT SEALS**

1. Install the drip edge onto the bottom of the 15 7/8" x 81 5/8" doors.



2. Using clear high bond double sided tape, cut to length and apply the vinyl edge L-BLADE along the HINGE side edges of the 13" x 84" SEAT SIDE CORNER PANEL WITH HINGE and the 13" x 84" SPLASH PANEL SIDE CORNER PANEL WITH HINGE.



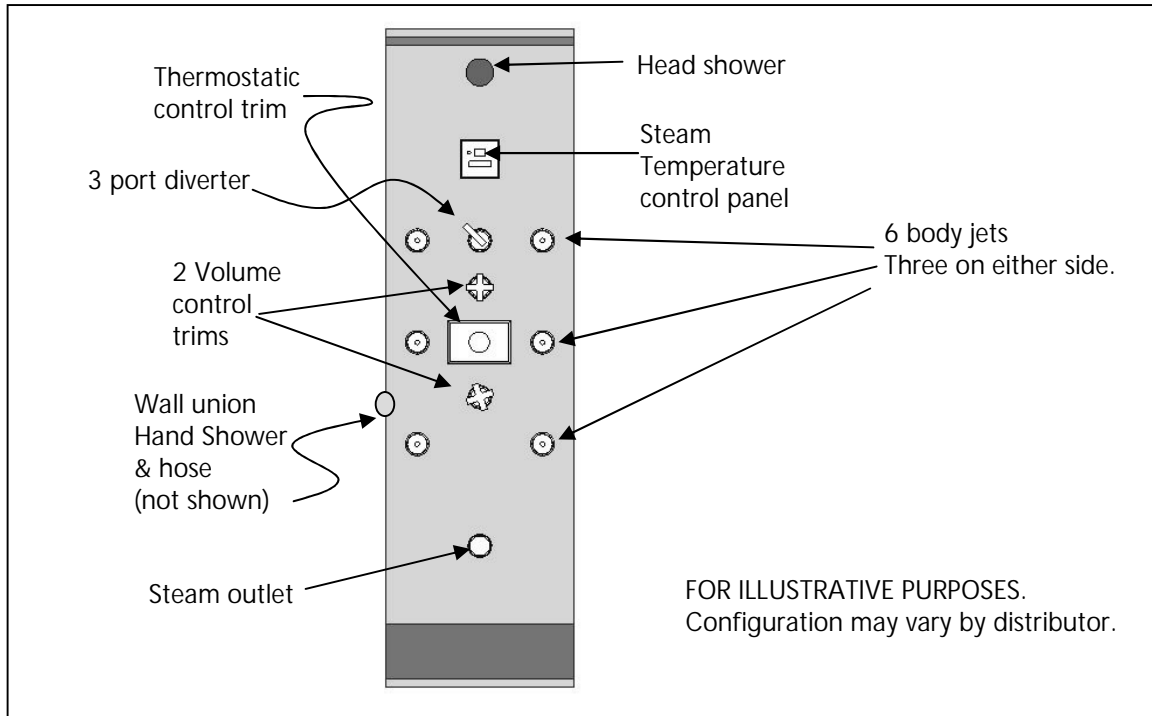
3. IF DESIRED: Using clear high bond double sided tape, cut to length and apply the vinyl edge L-SEAL along the handle side edge of one of the 15 7/8" x 81 5/8" DOORS.

**IMPORTANT:**

It is important to apply the translucent seals as directed so that the steam generator can operate at its best performance and deliver a consistent temperature-controlled steam bath. Be sure to use clear high bond double sided tape when installing the seals.

#### STEP 14: INSTALL THE FIXTURES AND FITTINGS

1. Follow the fixture & steam manufacturer's installation instructions and attach the components accordingly. NOTE: Your configuration may vary from the one illustrated below:



#### STEP 15: HOOK-UP ALL COMPONENTS

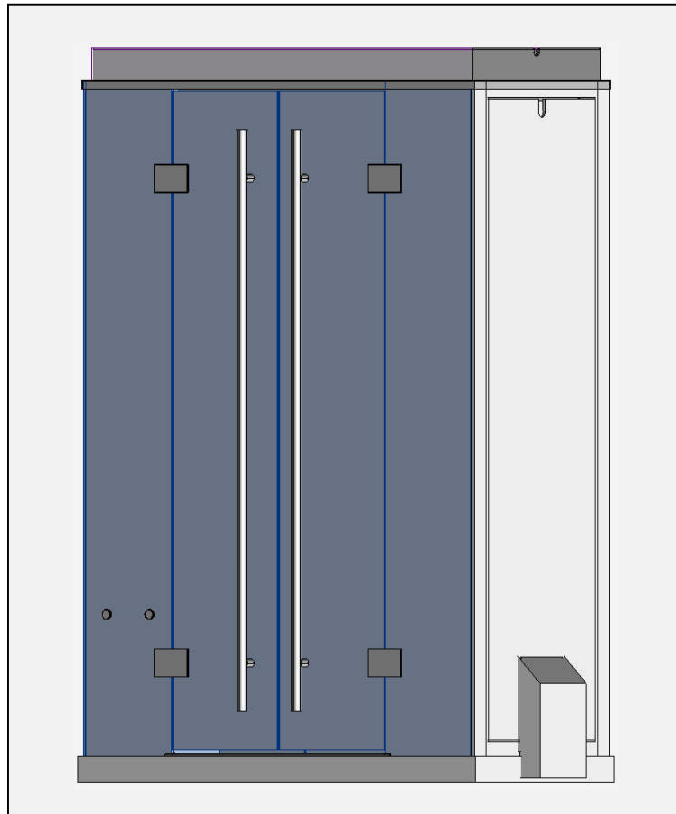
1. Install the steam generator and make all attachments (refer to steam manufacturer's Installation Instructions.)
2. Hook up the hot and cold water feeds to the hot and cold pipes coming out of the WetSpa splash panel.
3. Attach the fiber optic cable to the illuminator.
4. Attach the stereo speaker wire to the audio network / sound system:  
Channel 1: Red (+) Black (-). Channel 2: White (+) Green (-)
5. Test all components.

#### IMPORTANT:

Consult the steam & fixture literature for additional warnings, cautions, installation instructions and care and maintenance instructions that relate to components sourced from these manufacturers. Improper installation, care or maintenance may void one or more warranties.

#### STEP 16: CLOSE UP THE BACK OF THE SPLASH PANEL

1. Place the back cover of the Splash Panel onto the back of the Splash panel.
2. Attach the cover with the square stainless steel screws using a 1/8" square screwdriver.
3. Attach the pipe cover clips.
4. Attach the pipe cover to the back cover of the Splash Panel.



#### STEP 17: CLEAN-UP THE WETSPA AND PREPARE FOR USE

1. Remove any remaining painter's tape.
2. Clean up any residual hot glue and silicone.
3. Place a few drops of dish soap in a bucket of warm water and apply to the inside and outside of the unit. Do not rinse/dry off.
4. Squeegee the outside of the unit.
5. Steam up the inside of the unit.
6. Turn off the steam and squeegee the inside of the unit while still filled with steam.
7. Clean the surface areas of the splash panel, fixtures and trim thoroughly.
8. Apply a Transparent Polymer Coating (TPC) Surface Protector to the glass if desired.

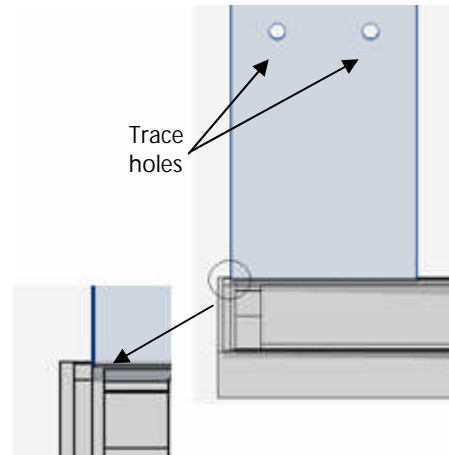
WELCOME to the WetSpa by Sculptured Homes. You have chosen a luxurious patented product that has been manufactured with quality materials and trusted workmanship.

## SIMPLIFY 2 1/2 x 5 BACK WALL, CORNER, AND ALCOVE INSTALLATION

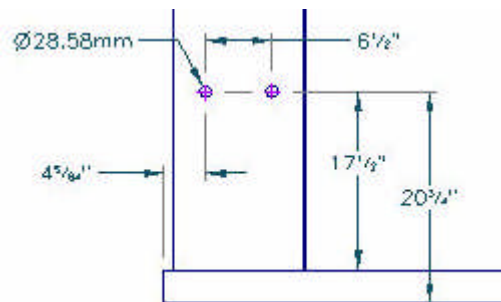
### STEPS 3 & 4: INSTALL THE SEAT SIDE GLASS & SEAT POLES

1. Place the 13" x 84" panel with the two holes (no door hinge cut-outs) into the perimeter channel of the floor to the rear of the unit. Ensure that the 84" edge of the panel aligns with the inside edge of the perimeter channel in the floor. The 29 1/16" x 84" side panel will be inserted into the perimeter channel of the floor later so that the 13" x 84" panel will butt against it.

PLEASE NOTE FOR ALCOVE INSTALL:  
Insert the 29 1/16" x 84" panel into the perimeter channel of the floor opposite the wet wall FIRST.



2. Trace the holes of the panel onto the drywall, green board or stud behind the glass panel. (NB: Measurements shown at the right are approximate.)
3. Remove the panel from the floor system.
4. Choose either the hanger or anchor bolt and drill the appropriate pilot hole on center of the two holes that have been traced onto the surface.

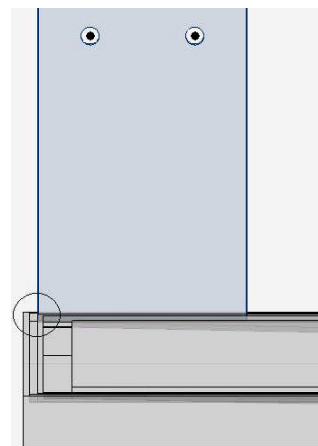


  
2 hanger bolts for wood

  
2 anchor bolts for cement

IF YOU ARE USING THE ANCHOR BOLTS, INSTALL THEM NOW. TIGHTEN DOWN THE NUT UNTIL THE ANCHOR BOLT IS SECURELY FASTENED IN THE WALL

5. Run a THIN bead of silicone on top of the dry glaze and reposition the 13" x 84" panel with the two holes (no door hinge cut-outs) into the perimeter channel of the floor to the rear of the unit, ensuring that the 84" edge aligns with the inside edge of the perimeter channel in the floor.



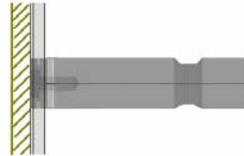
#### IMPORTANT:

When setting the 13" x 84" panel with the door hinge cut-outs into the perimeter channel ensure that the hinge cut outs are to the front center and that the 84" panel edges are aligned with the inside edge of the perimeter channel of the floor.

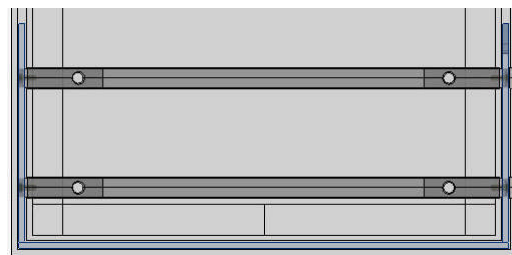
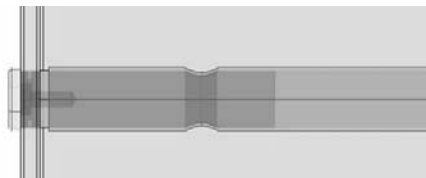
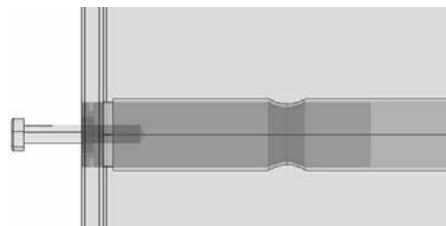
SIMPLIFY 2 1/2 x 5 BACK WALL, CORNER, AND ALCOVE INSTALLATION (cont'd.)

STEPS 3 & 4: INSTALL THE SEAT SIDE GLASS & SEAT POLES (cont'd.)

6. Put the o-rings onto the rods.
7. Lubricate the o-rings and the holes in the glass with a couple of drops of mild dish soap.
8. Insert the hanger bolts (if you are using these instead of the anchor bolts) into the rods, screw the rods until the o-rings sit in the middle of the panel of glass and are snug and secure.
9. Insert the poles onto the rods.
10. Insert the seat bolts, into the through holes to prevent the poles from slipping off the rods.
11. Align the back pole with the back hole in the 13" x 84" front panel, ensuring that the door hinge cut-outs are toward the center.
12. Using the machine bolt provided, screw the bolt into the end of the rod and pull the rod out, just enough for the o-ring to set in the middle of the pane.
13. Using a 3mm (7/64") hex key, screw in the chrome cap on the outside of the glass to secure the poles.
14. Repeat 11 – 13 for the front seat pole.
15. Remove the seat bolts from the wall side poles.
16. From the inside of the unit, apply a small amount of silicone where the rods meet the glass.
17. Follow Step 4 on page 13 for installing the seat.



2 machine bolts



Aerial View  
Seat Pole Assembly

**IMPORTANT:**

When setting the 13" x 84" panel with the door hinge cut-outs into the perimeter channel ensure that the hinge cut outs are to the front center and that the 84" panel edges are aligned with the inside edge of the perimeter channel of the floor.

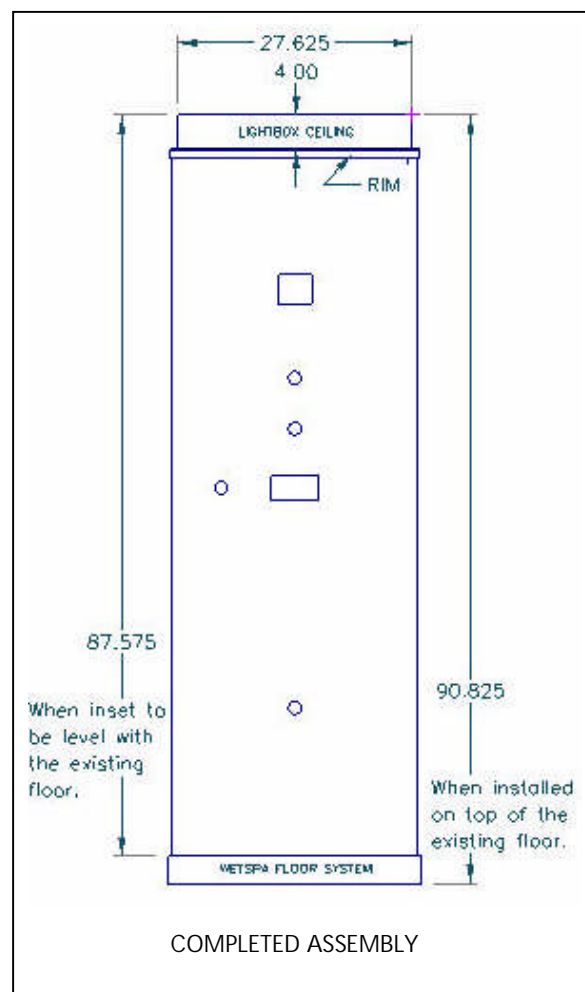
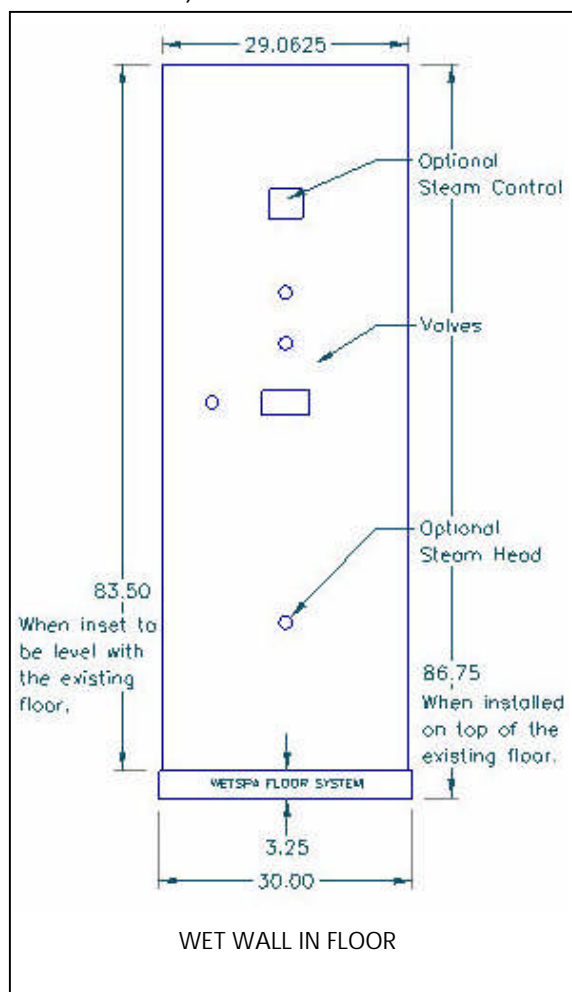
### STEP 5: INSTALL THE PLUMBING MANIFOLD, GLASS WET WALL AND RIM

The GLASS WET WALL has been fabricated to match the pre-plumbed manifold and steam controls (if the unit includes steam) that were specified on the WetSpa order. The plumbing manifold should be installed and braced between the wall studs as you would normally plumb a custom built shower. Similarly, you will need an access panel on the opposite side of the wall to do the final hook-ups and for future access once the unit is operational.

Since plumbing configurations vary by order, we cannot provide measurements for every possible configuration. You will need to review your manifold and glass wet wall panel for rough-in measurements to determine how it will best fit in the wall opening. Some general guidelines are provided below.

Determine the correct position for the plumbing manifold prior to installing it by placing the glass wet wall into the perimeter channel of the floor system and taking note of the valve and steam head openings. Refer to the installation documents from the fixture manufacture to determine the correct depth of the manifold placement in the wall cavity.

PLEASE NOTE: If the WetSpa unit is equipped with a rainhead in the ceiling, hook up the water feed (provided) to the manifold BEFORE closing up the wall. (Refer to p. 25 for dimensions.)



#### CAUTION!

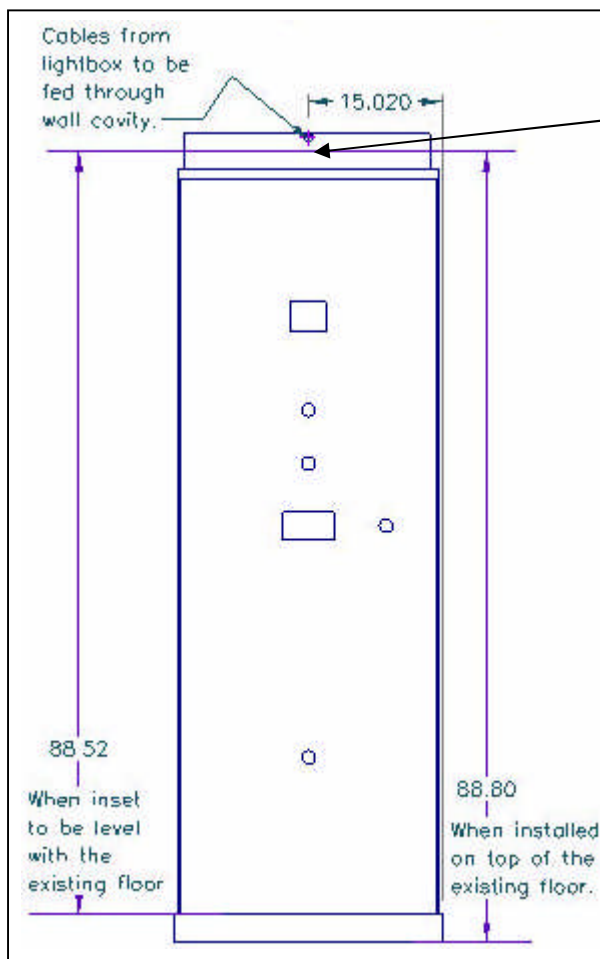
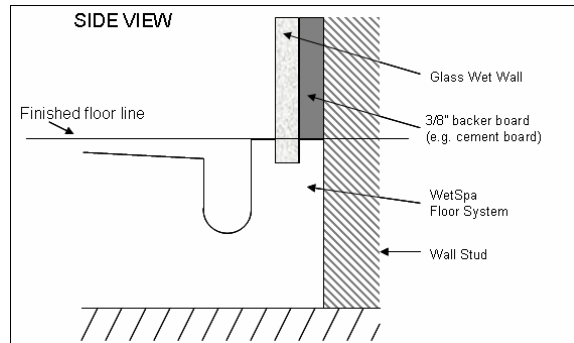
Handle the glass wet wall with extreme care. The corners will chip and the rough plumbing will scratch the back-painted surface if care is not taken.



STEP 5: INSTALL THE PLUMBING MANIFOLD, GLASS WET WALL AND RIM (cont'd.)

Install a 3/8" backer board over the plumbing manifold and behind the glass wet wall panel. Refer to local building codes when choosing the backer board material.

Use your configuration-specific measurements and the guidelines provided on the previous page to measure out and pre-cut the holes in the backer board for the rough-in valves as you would for a custom built shower.



The top of the 3/8" backer board will require a 3" hole for feeding the fiber optic and speaker cables down the wall cavity for hook up to the illuminator and sound system.

PLEASE NOTE: If the WetSpa unit is equipped with a rainhead in the ceiling, the water feed that has been connected to the manifold should be fed through the backer board hole BEFORE closing up the wall so that it can be attached to the rainhead in the ceiling.

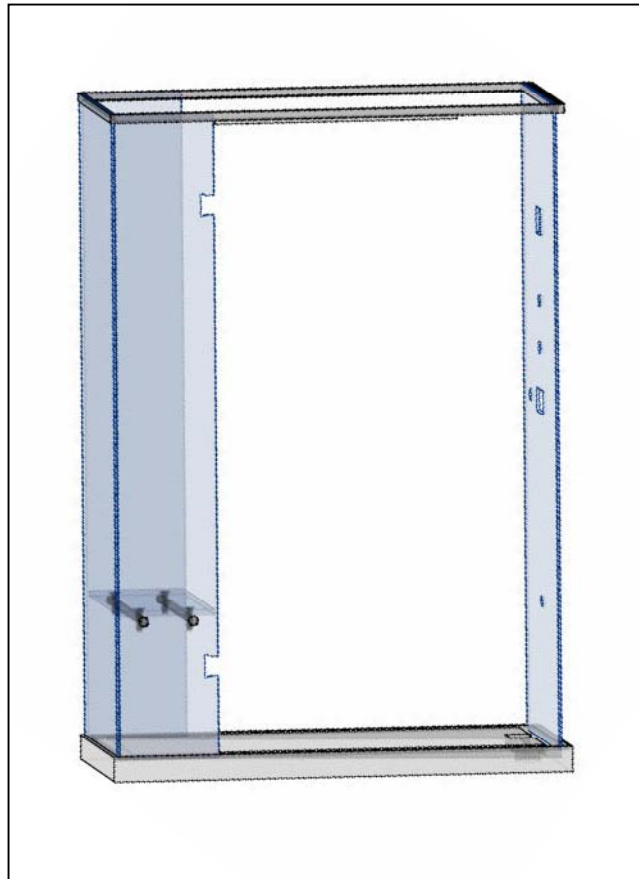
CAUTION!

Handle the glass wet wall with extreme care. The corners will chip and the rough plumbing will scratch the back-painted surface if care is not taken.

STEP 5: INSTALL THE PLUMBING MANIFOLD, GLASS WET WALL AND RIM (cont'd.)

IMPORTANT! Please read pp. 24 & 25 BEFORE proceeding with the steps below. Failure to understand the "finished" assembly will result in serious installation problems.

1. Install the plumbing manifold in the wall cavity.
2. Attach the water feed to the manifold for the rainhead (if applicable).
3. Install the 3/8" backer board over the wall cavity.
4. Install the gang box for the steam control on the glass wet wall (if applicable).
5. Run a THIN bead of silicone in the perimeter glass channel of the floor system and insert the L-shaped dry glaze gasket ensuring that the vertical part of the L-shaped gasket faces the exterior of the floor. Press the dry-glaze firmly in place allowing the silicone to form a thin seal.
6. Run a THIN bead of silicone on top of the dry glaze; then insert the 29 1/16" x 84" glass wet wall panel into the perimeter channel of the floor system.
7. Place the rim on the top lip of the glass panels with the door stop facing the front.
8. Finish off the 3/8" backer board seam between the glass wet wall and wall surface with silicone and decorative trim (not provided).
9. Resume installation instructions on p. 14 Step 6.



CAUTION!

Handle the glass wet wall with extreme care. The corners will chip and the rough plumbing will scratch the back-painted surface if care is not taken.